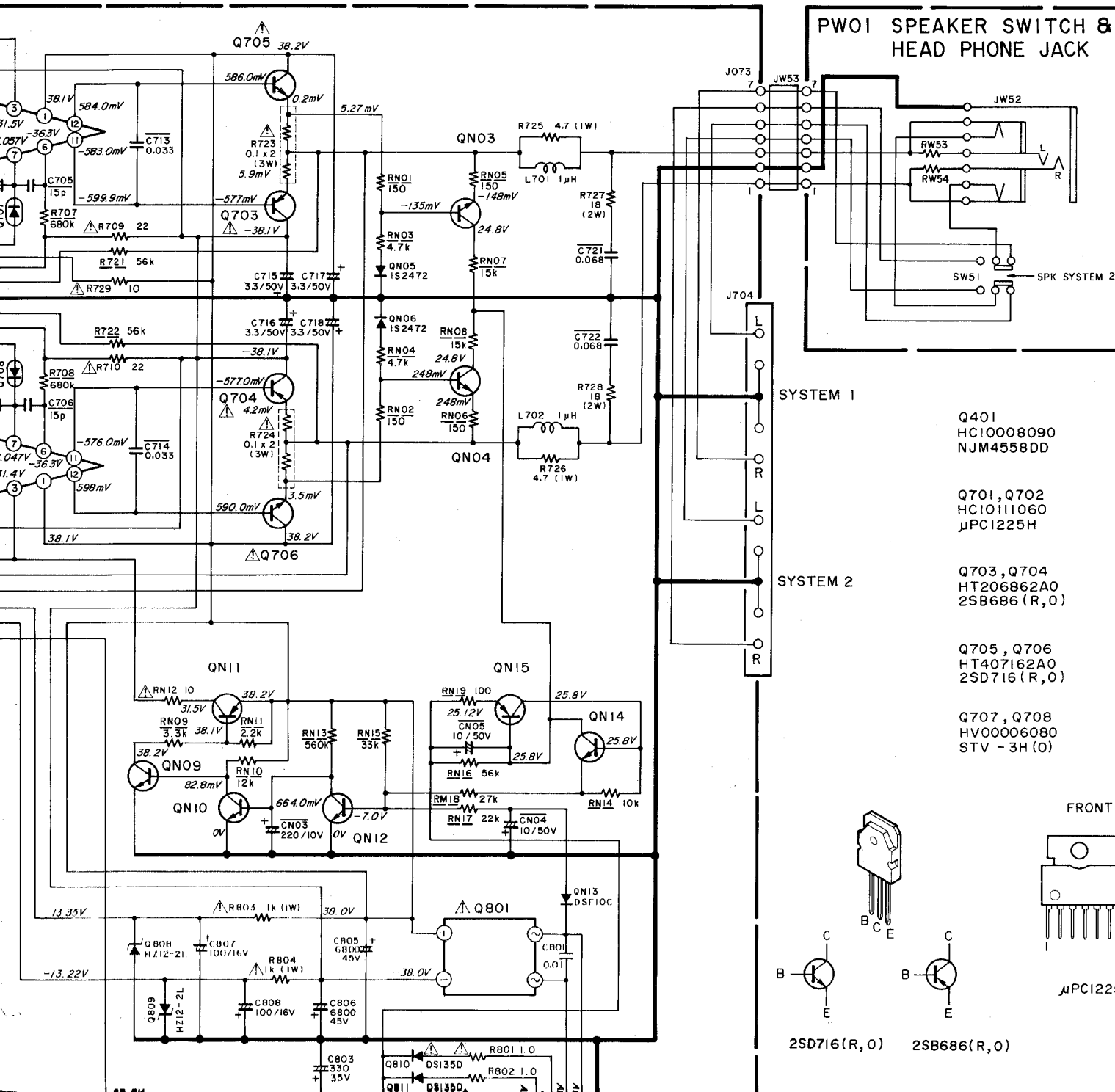


SCHEMATIC DIAGRAM FOR Model PM151



Q801
HD20008290
S4VB-20

Q808, Q809
HD30009010
HZ12-2L

Q810, Q811
HD20015030
DS135D

Q401
HC10008090
NJM4558DD

Q701, Q702
HC10111060
μPC1225H

Q703, Q704
HT206862A0
2SB686 (R,0)

Q705, Q706
HT407162A0
2SD716 (R,0)

Q707, Q708
HV00006080
STV-3H(O)

Q401
HC10008090
NJM4558DD

Q701, Q702
HC10111060
μPC1225H

Q703, Q704
HT206862A0
2SB686 (R,0)

Q705, Q706
HT407162A0
2SD716 (R,0)

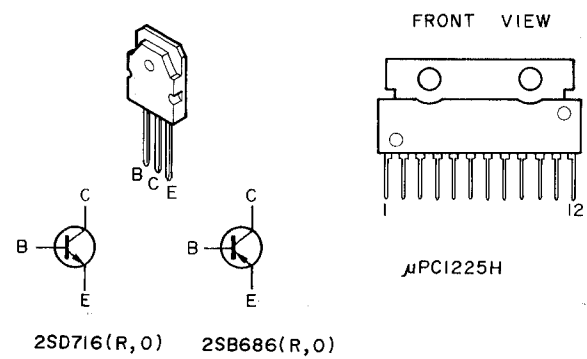
QNO5, QNO6
HD20002210
IS2472

QN11, QN15
HT109331Q0
2SA933 SP

QN13
HD20022030
DSF10C



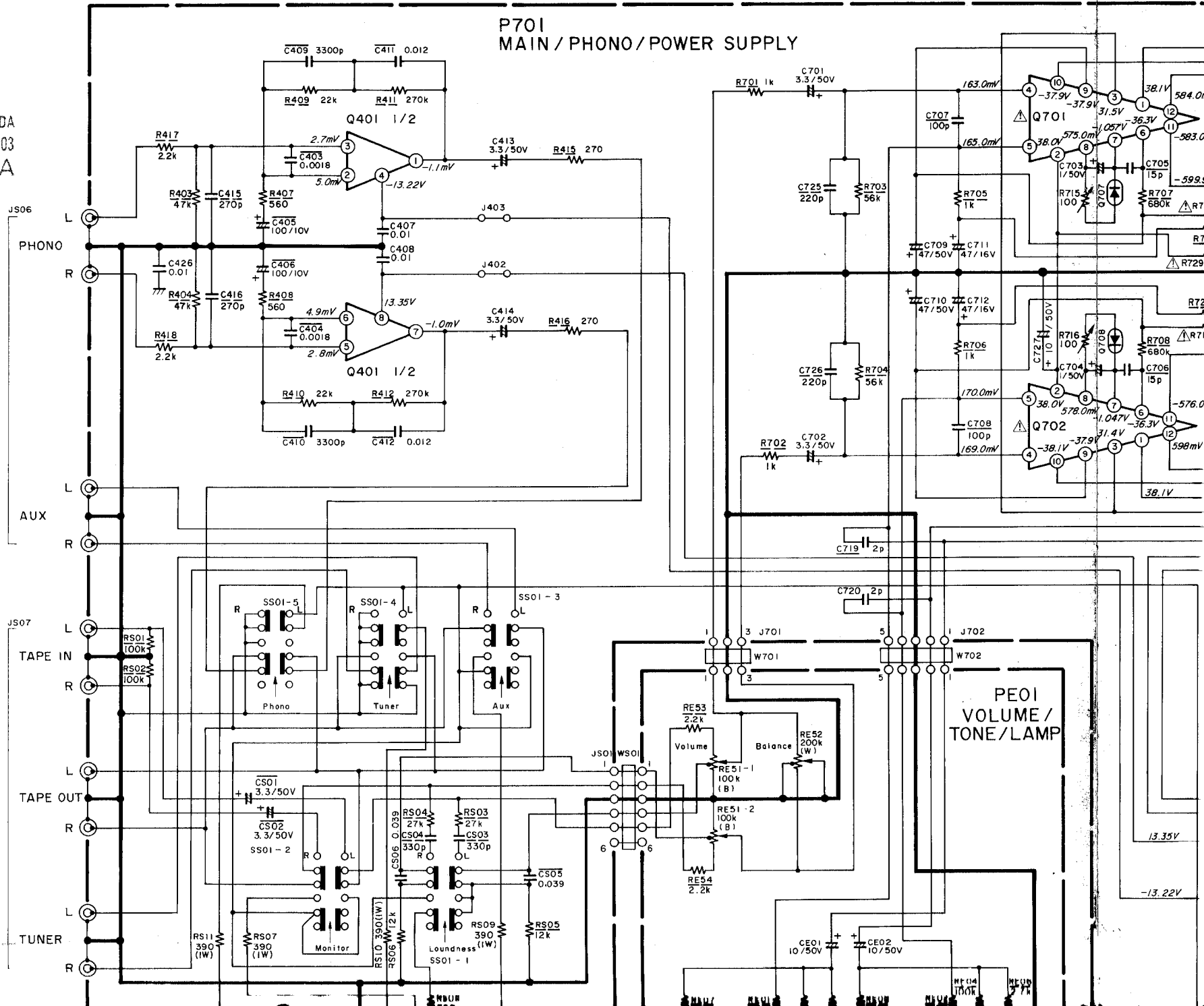
COMÉRCIO DE ARTIGOS ELÉTRICOS. LDA
Rua da MATRIZ, 6 - Tel/Fax (058)941403
4990 PONTE DE LIMA

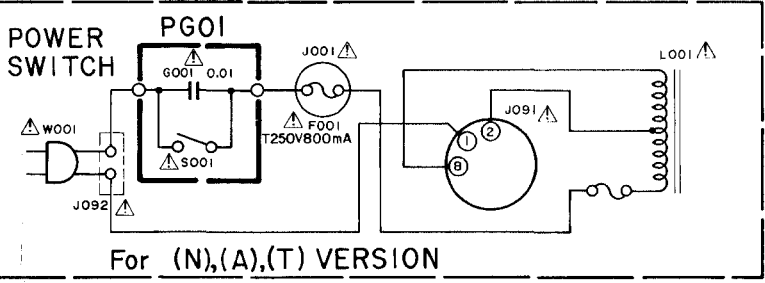
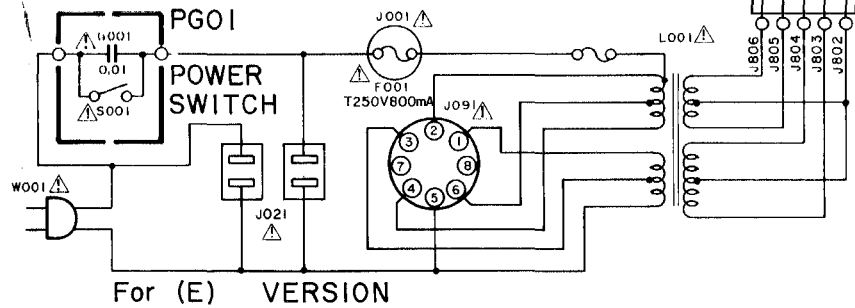
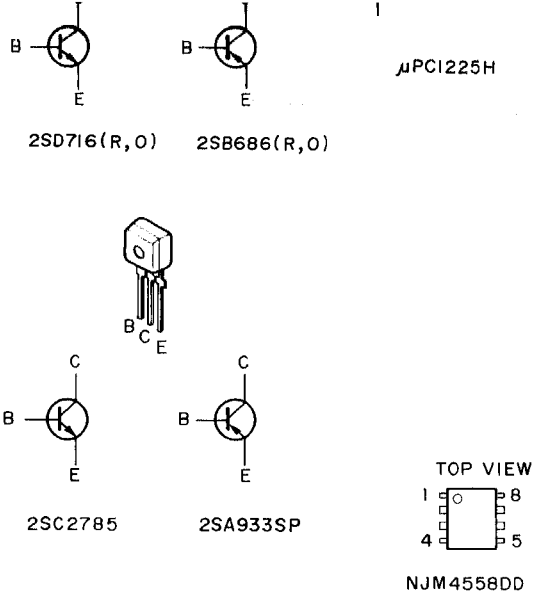
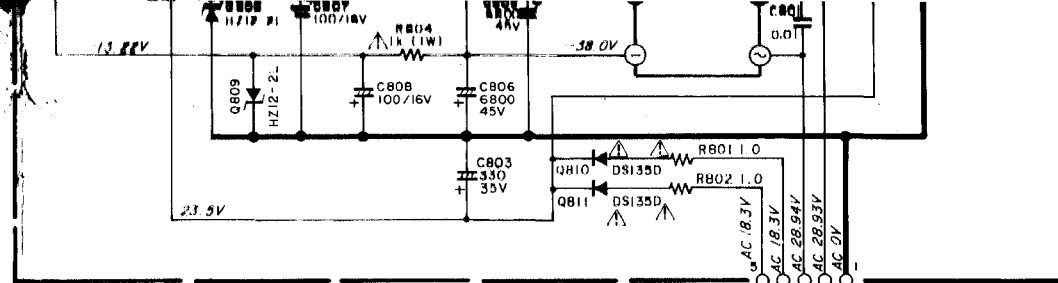


2SD716 (R,0) 2SB686 (R,0)



COMÉRCIO DE ARTIGOS ELÉTRICOS, LDA
Rua da MATRIZ, 6 - Tel/Fax (058)941403
4990 PONTE DE LIMA





ELECTROACTIVA
 COMÉRCIO DE ARTIGOS ELÉCTRICOS. LDA
 Rua da MATRIZ, 6 - Tel/Fax (058)941403
 4990 PONTE DE LIMA

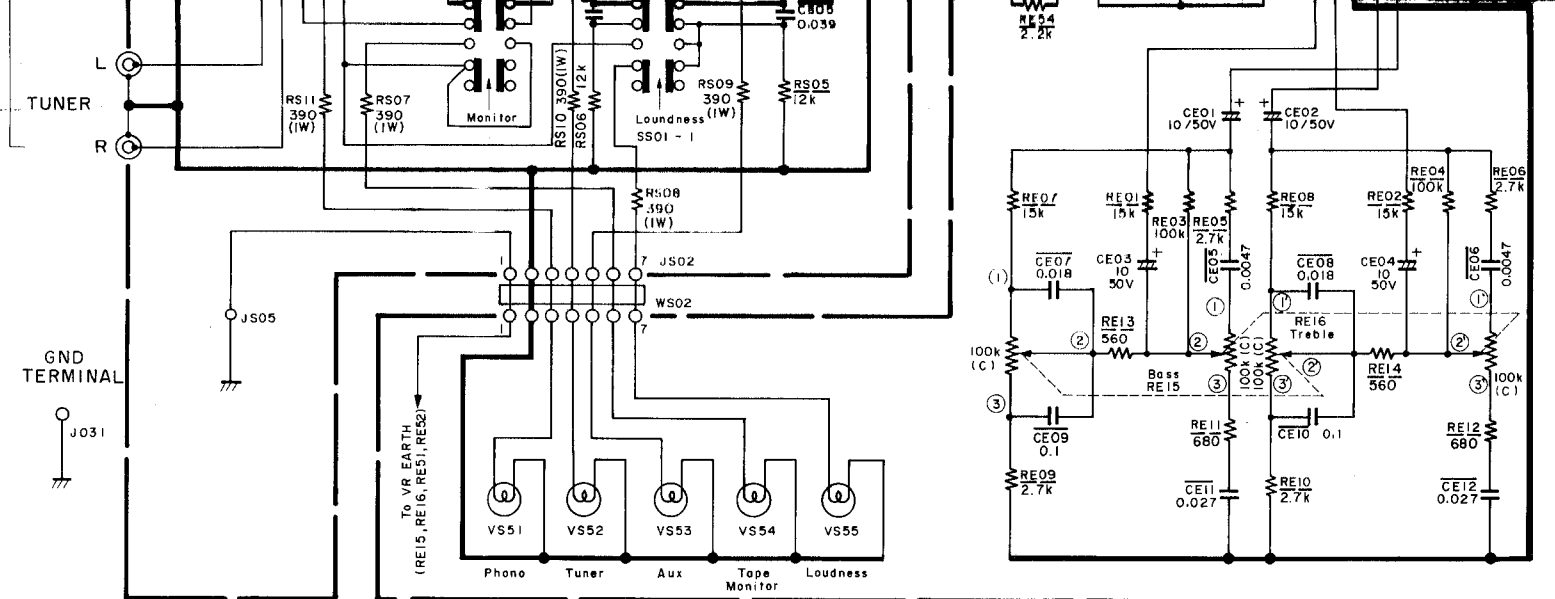
"SERVICE INFORMATION IS FOR USE BY QUALIFIED PERSONNEL ONLY – ANY MISADJUSTMENT OR MISALIGNMENT MAY BE TREATED AS A NON-WARRANTY REPAIR BY ANY MARANTZ SERVICE CENTRE –"

Kind of Common Parts

- RESISTOR**
- R***** (1) GD05 --- 140, Carbon film fixed resistor, ±5% 1/4W
 - R***** (2) GD05 --- 160, Carbon film fixed resistor, ±5% 1/6W
- C***** : CERAMIC CAP.
- (1) DD1 ---- 370, Ceramic condenser, disc type (titan condenser) Temp. coeff. P350 ~ N1000 50V
- C***** : CERAMIC CAP.
- (1) DK16 --- 300, High dielectric constant ceramic condenser, disc type (titan variable) Temp. chara. 2B4 50V

- C***** : ELECTROLY CAP. (⊘) / FILM CAP. (≡)
- (1) EA ----- 10, Electrolytic condenser, one-way lead type, tolerance ±20%
 - (2) DF15 --- 350, Plastic film condenser, one-way type, Mylar, ±5% 50V

*In case of ordering the common parts, please establish the correct parts number of 10 figures by the procedure "ASSIGNMENT OF COMMON PARTS CODES"



F001	FS10080800	FUSE 800mA	L702	LL23905120	COIL 1mH
G001	DK18103840	CERAMIC 0.01 μ F	R715	RA01010800	TRIMMING 100 Ω
J001	YJ08000290	JACK FUSE HOLDER	R716	RA01010800	TRIMMING 100 Ω
J021	YJ04001210	JACK AC OUTLET	SW51	SP02010960	PUSH SWITCH SPEAKER
J091	BY05030040	VOLTAGE SELECTOR (N, A)	JS06	YT02040500	TERMINAL RCA JACK
J091	BY05080050	VOLTAGE SELECTOR (E)	JS07	YT02060210	TERMINAL RCA JACK
J092	YP04000580	PLUG AC INLET	SS01	SP04050270	PUSH SWITCH FUNCTION
L001	TS16804020	POWER TRANSFORMER (N, A)	RE15	RS01040320	VARIABLE TONE VOL. 100k Ω
S001	SP01010730	PUSH SWITCH POWER	RE16	RS01040320	VARIABLE TONE VOL. 100k Ω
W001	ZC02006020	AC POWER CORD (A)	RE51	RM01040830	VARIABLE MAIN VOL. 100k Ω
W001	YC01900080	AC POWER CORD (E)	RE52	RX02040080	VARIABLE BALANCE 200k Ω
W001	ZC01805010	AC POWER CORD (N)	VS51		
JW52	YJ01002090	JACK HEADPHONE	}	IN10080610	LAMP 8V 50mA
J074	YT03080020	TERMINAL SPEAKER	VS55		
L701	LL23905120	COIL 1mH			

ELECTROACTIVA

COMÉRCIO DE ARTIGOS ELÉTRICOS. LDA
 Rua da MARIZ. 6 - Tel/Fax (058)941403
 4990 PONTE DE LIMA

NOTE ON SAFETY :

Symbol Δ Fire or electrical shock hazard. Only original parts should be used to replace any part marked with symbol Δ . Any other component substitution (other than original type), may increase risk of fire or electrical shock hazard.

Components and wiring are subject to change